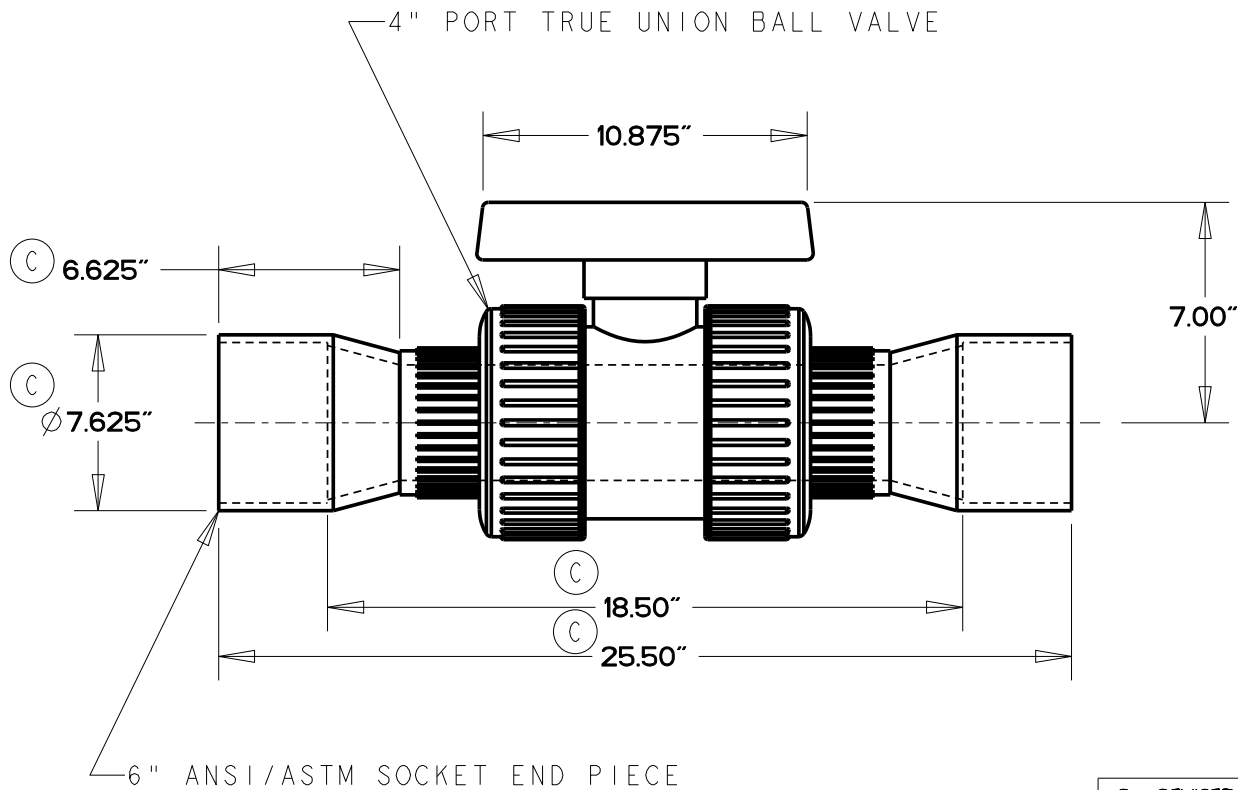


CUSTOMER PART NO:
-


PART NO.	MATERIAL
V60101N	PVC/EPDM
V60102N	PVC/VITON
V60104N	CPVC/VITON



C	REVISED DIMS USING 829-532 COUPLINGS	11-20-15
B	REMOVED Cv RATING	7-10-10
A	RELEASED	11-15-07

REV	DESCRIPTION	DATE
-----	-------------	------

ENGINEERING REVISIONS

TITLE 6" TRUE UNION BALL VALVE SOC X SOC (VENTURIED)		 <p>Colonial ENGINEERING INC.</p>
DESIGNED BY MB	DWG SIZE A	
DRAWN BY EJL	SHEET NO 1 OF 1	<small>This drawing is the property of Colonial Engineering. It is furnished to you for confidential information purposes only and is not to be disclosed to anyone else or reproduced or used for manufacturing purposes without the express written permission of Colonial Engineering.</small>
REVIEWED BY MB	SCALE -	
DATE 6-1-06	LENGTH UNITS INCH	DRAWING NO V6010XN

(B) (C)
 WEIGHT: 24 LBS
 OPENING TORQUE: 1,000 IN-LBS
 MAX WORKING PRESSURE: 150 PSI NON-SHOCK WATER AT 73° F