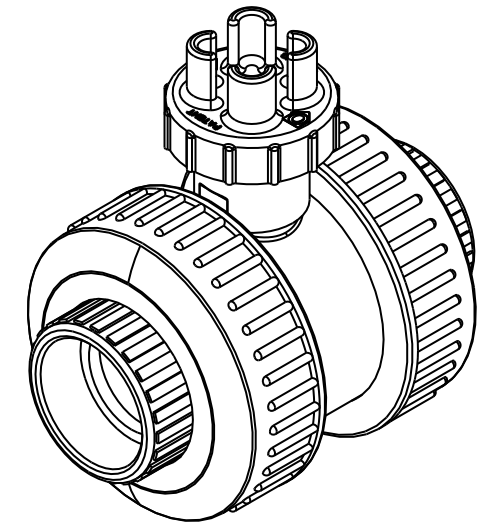


# Submittal Drawing: Metric SC Series Thermoplastic True Union Ball Valve

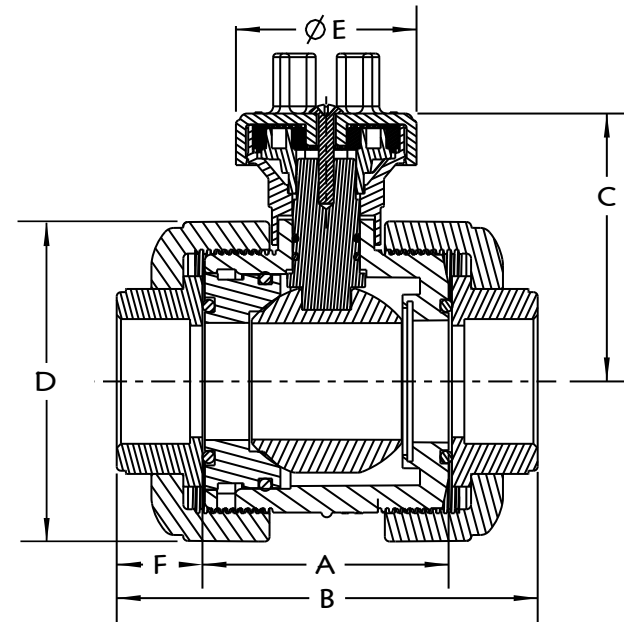
Designed for turf irrigation, and many other applications. Patented gear drive thermoplastic handle mechanism allows for a 360° rotation of the handle to achieve a 90° turn of the ball. This gradual open/close actuation greatly reduces the opportunity for shock or hammer experienced by the sudden open/closure of a standard quarter-turn ball valve.

- Handle features a cross to accept standard sprinkler key wrench (or Lasco plastic key VKey-1) for buried service actuation.
- Replaces brass or bronze gate valves for irrigation uses.
- Thermoplastic construction eliminates process and atmospheric corrosion.
- True Union End Connectors allow for easy and quick removal from line.
- Follow published guidelines to de-rate pressure for elevated process temperature. Avoid prolonged exposure to direct sunlight during installation.
- Slo-Close valves are for Open or Closed operation. Do not attempt to meter or throttle by leaving valve in partially open/closed position. Cycle time: 5-10 seconds to open. 3-5 seconds to close

- Valves are supplied with PVC socket DIN connectors.
- Full port design - same I.D. as Sch 80 pipe minimizes turbulence at high flow rates.
- Floating ball design for positive seal.
- Dual Stem o-rings for extra protection against leaks.
- Repairable: A complete inventory of repair parts is readily available.
- Valves should be installed such that the center-line of the pipe is a minimum of 46cm below grade. We recommend a double valve box allowing access to the union nuts to facilitate simple future maintenance or repair.



Dimensions (mm):		
	63mm	90mm
A	106.38	148.59
B	196.85	261.87
C	140.72	177.80
D	134.62	184.15
E	73.15	73.15
F	45.21	49.28

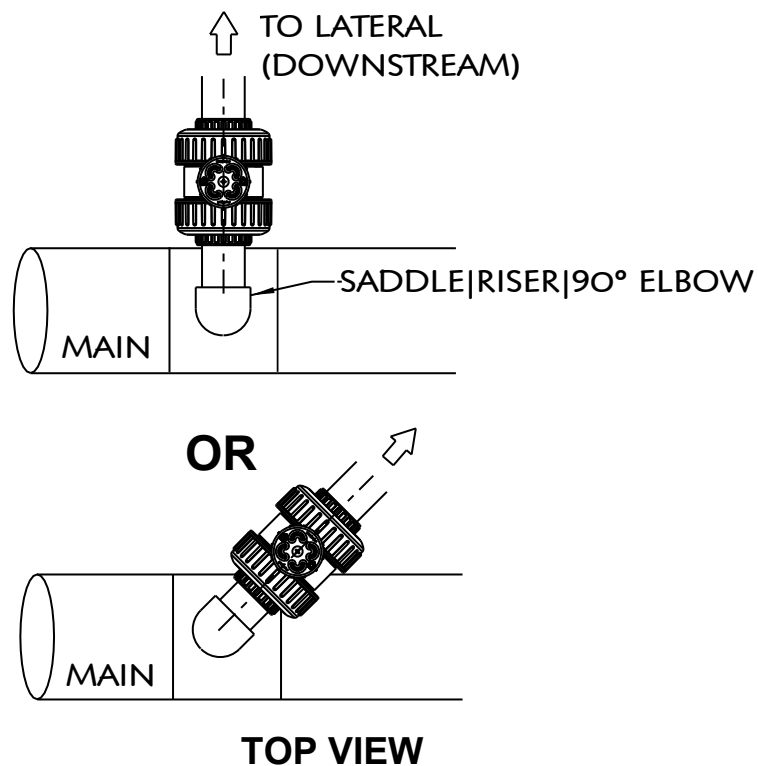


Size	Model	Material	Pressure Rating
63	V63101N-SC	PVC/EPDM	235 psi, non-shock water at 73° F.
90	V90101N-SC	PVC/EPDM	150 psi, non-shock water at 73° F.

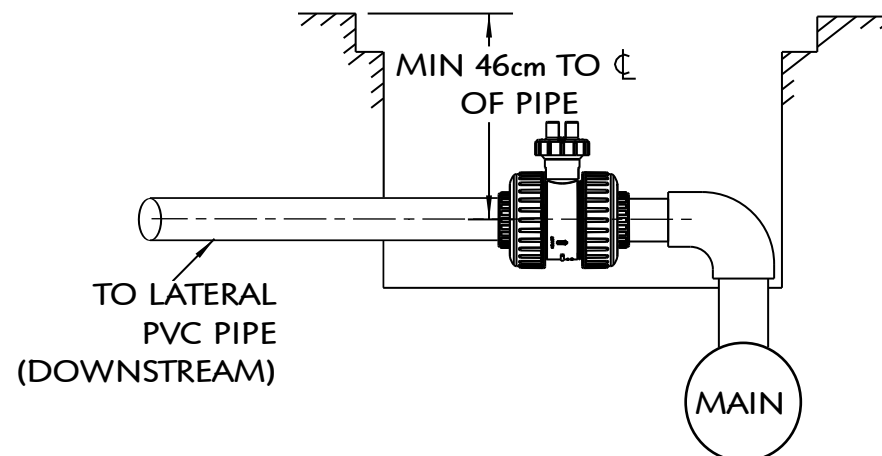
[Also see Colonial Full Block® True Union Ball Valve 101N Series for a complete size range of standard quarter-turn valve, manual or automated]

❖ 360° turn clockwise to close.

## Recommended Installation Layout

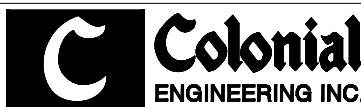


## Recommended Burial Depth



## Sample Engineering Specifications

**True Union Ball Valves** shall be produced of PVC Type I, cell classification 12454. Valve handle shall have a gear mechanism allowing for a 360° rotation of the handle to achieve a 90° turn of the ball and shall be activated manually by hand or by use of a standard sprinkler key wrench. Valve o-rings shall be made of EPDM material. Valve stem shall have two o-rings. Valve seats shall be produced of Teflon® and POM material. **Colonial SC Series® TUBV.**

TITLE		
SLO-OPEN / SLO-CLOSE TRUE UNION BALL VALVE (METRIC SOCKET)		
DESIGNED BY	DWG SIZE	COLONIAL ENGINEERING, INC. 6400 Corporate Ave Portage, MI 49002 <small>This drawing is the property of Colonial Engineering. It is furnished to you for confidential information purposes only and is not to be disclosed to anyone else or reproduced or used for manufacturing purposes without the express written permission of Colonial Engineering.</small>
DRAWN BY	SHEET NO	
REVIEWED BY	SCALE	
DATE	LENGTH UNITS	
MB	B	<b>K25020M</b>
EJL	1 OF 1	
MB	-	
10-25-10	INCH	