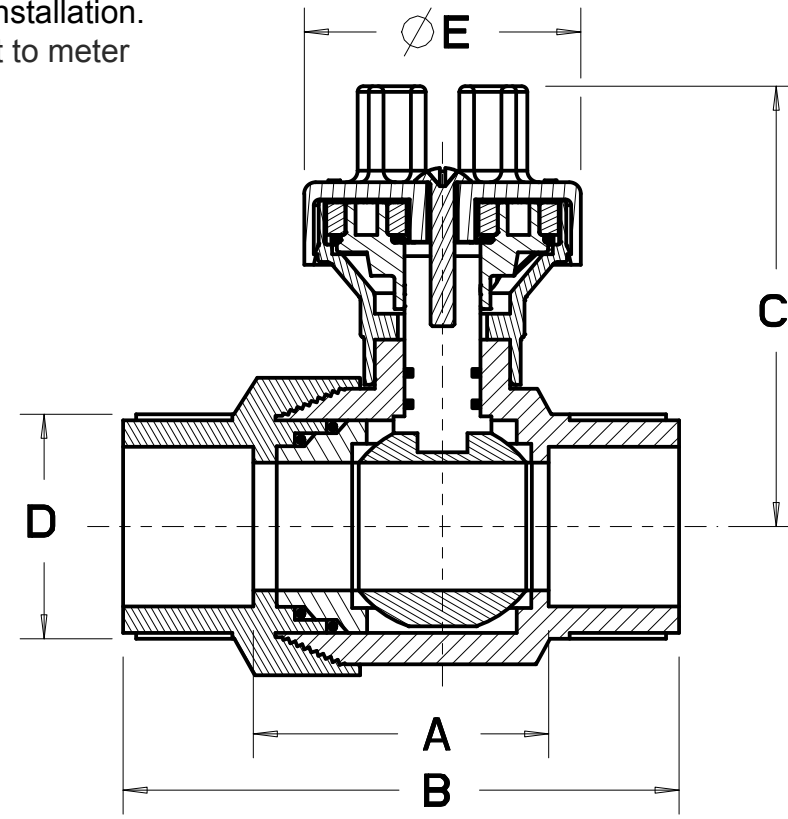


Submittal Drawing: SC Series Thermoplastic Compact Ball Valve

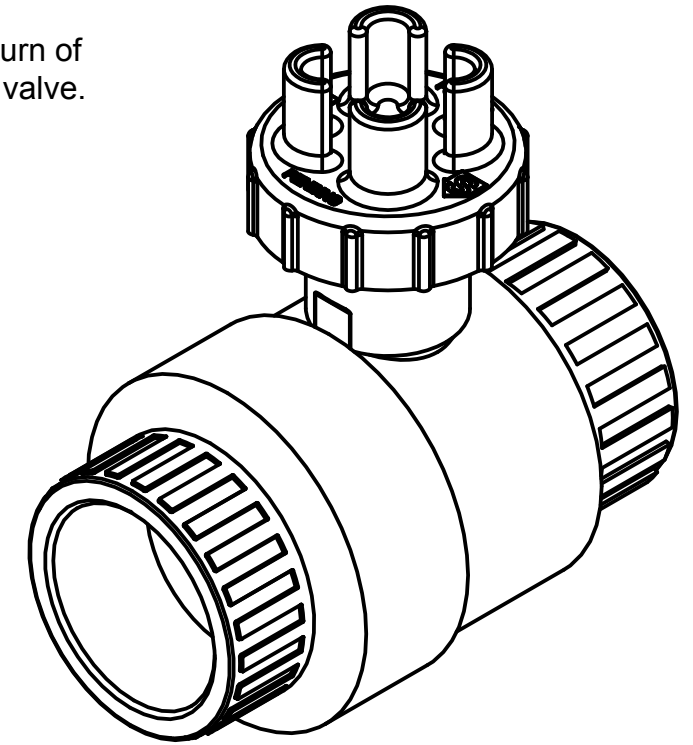
Designed for turf irrigation, and many other applications. Patented gear drive thermoplastic handle mechanism allows for a 360° rotation of the handle to achieve a 90° turn of the ball. This gradual open/close actuation greatly reduces the opportunity for shock or hammer experienced by the sudden open/closure of a standard quarter-turn ball valve.

- Handle features a cross to accept standard sprinkler key wrench for buried service actuation.
- Replaces brass or bronze gate valves for irrigation uses.
- Thermoplastic construction eliminates process and atmospheric corrosion.
- Permanently sealed, maintenance-free design.
- Pressure rated up to 235 psi, non-shock water at 73° F.
- Follow published guidelines to de-rate pressure for elevated process temperature. Avoid prolonged exposure to direct sunlight during installation.
- Slo-Close valves are for Open or Closed operation. Do not attempt to meter or throttle by leaving valve in partially open/closed position.
- End connections meet ASTM requirement: PVC D 2467
- Full port design - same I.D. as Sch 80 pipe minimizes turbulence at high flow rates.
- Floating ball design for positive seal.
- Dual Stem o-rings for extra protection against leaks.
- Valves should be installed such that the center-line of the pipe is a minimum of 18" below grade.

Dimensions (Inches)	
A	3.08
B	6.58
C	5.05
D	3.06
E	2.88



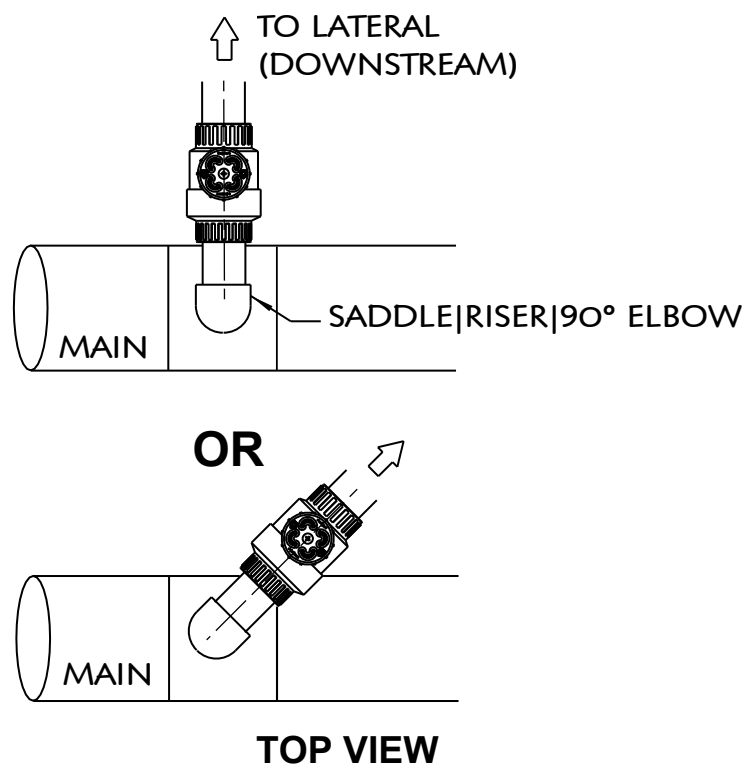
❖ 360° turn clockwise to close.



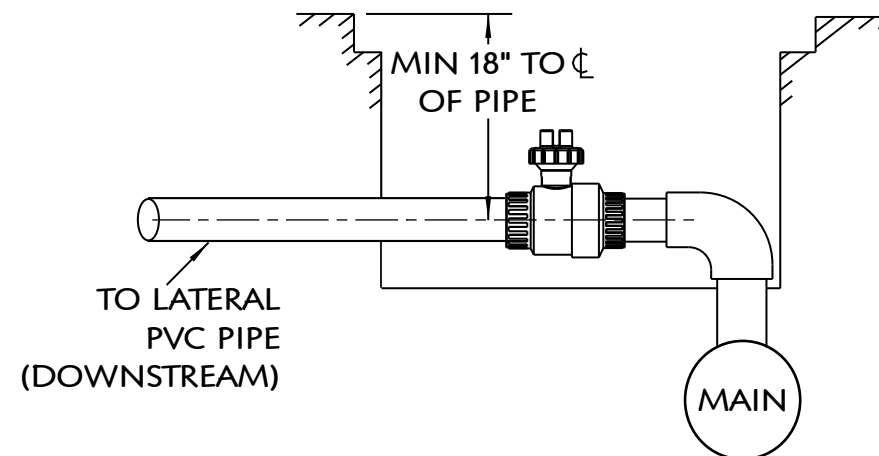
Model Number:	
SxS	
V20191N-SC	PVC/ EPDM

[Also see Colonial Full Block® True Union Ball Valve 101N Series for a complete size range of standard quarter-turn valve, manual or automated]

Recommended Installation Layout



Recommended Burial Depth



Sample Engineering Specifications:

Compact Ball Valves shall be produced of PVC Type I, cell classification 12454 material. Valve handle shall have a gear mechanism allowing for a 360° rotation of the handle to achieve a 90° turn of the ball and shall be activated manually by hand or by use of a standard sprinkler key wrench. Valve o-rings shall be made of EPDM material. Valve stem shall have two o-rings. Valve seats shall be produced of Teflon® material. End connections shall be Sch 80 socket. Valves shall have a pressure rating of 235 psi, non-shock water at 73° F. **Colonial SC Series® Compact Valve.**

TITLE		
SLO-OPEN / SLO-CLOSE COMPACT BALL VALVE		
DESIGNED BY	DWG SIZE	COLONIAL ENGINEERING, INC. 6400 Corporate Ave Portage, MI 49002 <small>This drawing is the property of Colonial Engineering. It is furnished to you for confidential information purposes only and is not to be disclosed to anyone else or reproduced or used for manufacturing purposes without the express written permission of Colonial Engineering.</small>
MB	B	
DRAWN BY	SHEET NO	
EJL	1 OF 1	
REVIEWED BY	SCALE	DRAWING NO
MB	-	K25050
DATE	LENGTH UNITS	
12-2-09	INCH	