

Features and Benefits

- Thermoplastic design eliminates process and atmospheric corrosion.
- Pressure rated up to 150 psi, non-shock water at 73° F
- 100% Leak Tested
- Both White and Gray have Sch 80 wall thickness.
- Polished PVC Ball insures smooth turning and longer service life.
- Socket dimensions meet ASTM standard PVC: D-2467
- FIPT x FIPT version: Threads meet ASTM standard D-2464, ANSI B1.20.1
- PVC Material meets ASTM D-1784. (Body, Ball & Stem)
- Bi-directional: can be installed in either direction.
- Replacement handle kits available.
- NSF – 61 Approved for Potable Water Service. Product also Certified to NSF/ANSI 61, Annex G and is in compliance with California's Health & Safety Code Section 116875 (commonly known as AB1953) and Vermont Act 193.



All PVC Compact MIP Ball Valves are NOT created equal

MIP Compact Valves answer the need for an economically priced compact quarter turn ball valve for use in irrigation, water treatment, pool/spa, and commercial plumbing applications. Available in 1/2 - 4" sizes



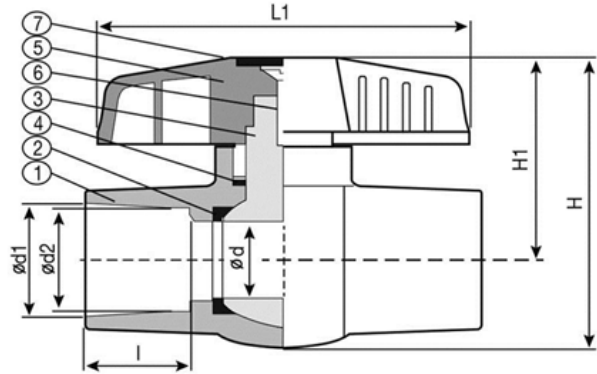
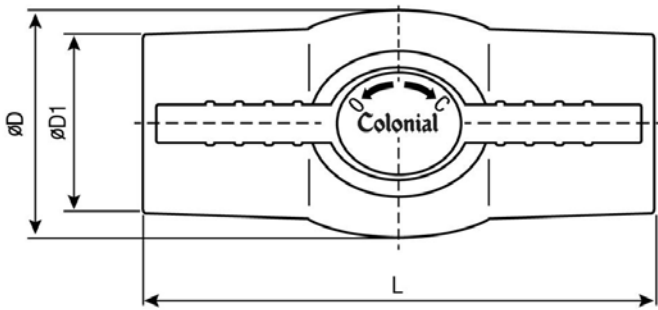
COMMERCIAL SCH 80 MIP (MOLDED IN PLACE) COMPACT VALVE

Do not use with compressed air or gas.

Revised 06/28/16 Replacement handle detail added

CUSTOMER SERVICE: 6400 Corporate Ave., Portage, MI 49002
Toll-free (800)374 0234, Phone (269)323 2495, Fax (269) 323 0630 www.colonialengineering.com

| Size | White Socket | White Threaded | Gray Socket | Gray Threaded |
|-------|--------------|----------------|-------------|---------------|
| 1/2 | V07491N | V07591N | V07691N | V07791N |
| 3/4 | V08491N | V08591N | V08691N | V08791N |
| 1 | V10491N | V10591N | V10691N | V10791N |
| 1-1/4 | V14491N | V14591N | V14691N | V14791N |
| 1-1/2 | V17491N | V17591N | V17691N | V17791N |
| 2 | V20491N | V20591N | V20691N | V20791N |
| 2-1/2 | V27491N | V27591N | | |
| 3 | V30491N | V30591N | | |
| 4 | V40491N | V40591N | | |



| | 1/2" | 3/4" | 1" | 1-1/4" | 1-1/2" | 2" | 2-1/2" | 3" | 4" |
|----|-------|-------|-------|--------|--------|-------|--------|-------|-------|
| d1 | 0.848 | 1.058 | 1.325 | 1.670 | 1.912 | 2.387 | 2.889 | 3.516 | 4.518 |
| d2 | 0.836 | 1.046 | 1.310 | 1.655 | 1.894 | 2.369 | 2.868 | 3.492 | 4.491 |
| l | 0.875 | 1.000 | 1.125 | 1.250 | 1.375 | 1.500 | 1.750 | 1.875 | 2.250 |
| D | 1.496 | 1.929 | 2.244 | 2.480 | 2.953 | 3.622 | 4.331 | 5.236 | 6.693 |
| D1 | 1.181 | 1.496 | 1.772 | 2.126 | 2.441 | 3.031 | 3.622 | 4.173 | 5.315 |
| d | 0.551 | 0.787 | 0.984 | 1.181 | 1.417 | 1.831 | 2.362 | 3.031 | 3.976 |
| L | 3.268 | 3.740 | 4.173 | 4.488 | 5.118 | 5.787 | 8.031 | 9.016 | 11.81 |
| L1 | 2.756 | 3.465 | 3.937 | 3.937 | 4.291 | 5.276 | 7.008 | 8.819 | 10.87 |
| H | 2.441 | 3.071 | 3.661 | 3.858 | 4.528 | 5.315 | 6.299 | 7.480 | 9.173 |
| H1 | 1.693 | 2.126 | 2.559 | 2.638 | 3.071 | 3.504 | 4.134 | 4.882 | 5.827 |

| No. | Part | Material | Qty |
|-----|--------|-------------------|-----|
| 1 | Body | PVC | 1 |
| 2 | Seat | EPDM | 2 |
| 3 | Ball | PVC | 1 |
| 4 | O-ring | EPDM | 1 |
| 5 | Handle | ABS | 1 |
| 6 | Bolt | Zinc Plated Steel | 1 |
| 7 | Cap | ABS | 1 |

Pressure rated at 150 psi non-shock water at 73°F. If operating temperature will exceed 73°, then reduce the pressure according to the chart below. NR = not-recommended.

| Temp (F°) | 73 | 80 | 90 | 100 | 110 | 120 | 130 | 140 | 150 |
|------------|------|------|------|------|------|------|------|------|-----|
| De-rate by | 1.00 | 0.88 | 0.75 | 0.62 | 0.50 | 0.40 | 0.30 | 0.22 | NR |

Handle replacement kits (includes handle, cap, set-screw)

| For Valve Size | Part No |
|----------------|---------|
| 1/2 | V07491K |
| 3/4 | V08491K |
| 1 | V10491K |
| 1-1/4 | V14491K |
| 1-1/2 | V17491K |
| 2 | V20491K |
| 2-1/2 | V27491K |
| 3 | V30491K |
| 4 | V40491K |

Easy to replace: 1. Pry off cap 2. Loosen and remove the set screw. 3. Lift the handle off the stem. Make sure o-ring is clean. Reverse steps above to reassemble. New handle comes with new cap and set-screw.



Available through
LASCO®
Fittings, Inc.