

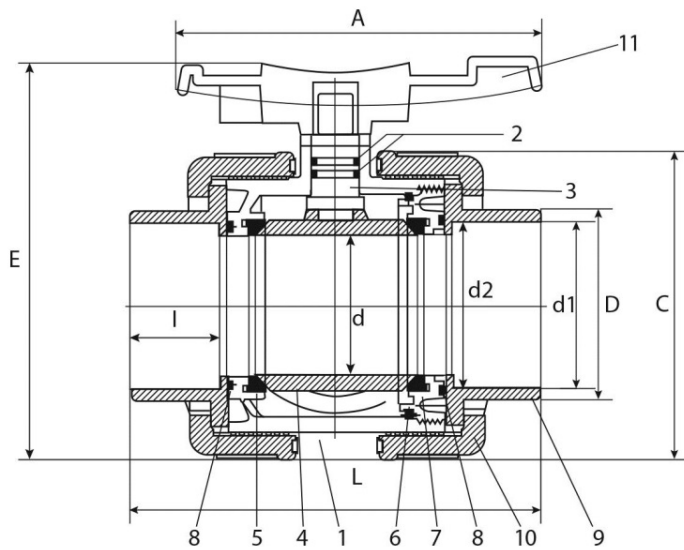
## Features and Benefits

- Lightweight, thermoplastic design resists process and atmospheric corrosion.
- Pressure rating 150 psi max for 1-1/2 - 3", 100 psi for 4" (non-shock water at 73° F).
- Blue PVC impact resistant molded, replaceable handle
- PVC with EPDM o-rings and PE seats.
- 3-year limited warranty
- Features a blocked seat carrier, to prevent blowout if union nut is removed while valve is under pressure in the closed position. Carrier is also adjustable for seat-wear. Seat carrier is threaded into the body. The handle can be removed and used as a spanner wrench to tighten the carrier to adjust for seat wear. It can also be used to unthread the carrier to disassemble the valve.

*NOTE: For industrial and chemical process piping, Colonial recommends the Full Block® Series TUBV with Teflon® Seats..*



REV\_011416



Dimensions (Inch)

SIZE	1-1/2"	2"	2-1/2"	3"	4"
I	1.232	1.496	1.614	2.028	2.402
∅ d 1	1.912	2.387	2.889	3.516	4.518
∅ d 2	1.894	2.369	2.868	3.492	4.491
∅ d	1.496	1.890	2.323	2.835	3.780
C	3.740	4.567	5.472	6.693	8.268
E	5.472	6.535	7.480	9.252	10.905
A	4.724	5.748	7.008	8.268	9.843
L	5.748	6.732	8.268	9.685	11.142
D	2.441	2.972	3.484	4.173	5.157

Materials

ITEM	DESCRIPTION	MATERIAL
1	Body	PVC
2	Stem o-rings	EPDM
3	Stem	PVC
4	Ball	PVC
5	Seat	PE
6	Carrier o-ring	EPDM
7	Carrier	PVC
8	Face o-rings	EPDM
9	End Connectors	PVC
10	Union Nut	PVC
11	Handle	PVC

Temperature / pressure de-rating

Temp (°F)	PVC
73	1.00
80	.88
90	.75
100	.62
110	.50
120	.40
130	.30
140	.22
150	NR
160	NR

Size	Part Number	Master Ctn Qty	Working Pressure*	Replacement Handles
Socket & Threaded End Connectors				
1-1/2"	V17801N	24	150 psi	V17801K
2"	V20801N	12	150 psi	V20801K
2-1/2"	V27801N	6	150 psi	V27801K
Soc x Soc				
3"	V30801N	4	150 psi	V30801K
4"	V40801N	1	100 psi	V40801K
TxT				
3"	V30811N	4	150 psi	V30801K
4"	V40811N	1	100 psi	V40801K

\*non-shock water at 73°F

Note: for use with fluid transfer piping systems only. Not for use with compressed air or gas.

