

FEATURES AND BENEFITS

- Corrosion resistant thermoplastic body, disc and handle.
- Compact, light weight design
- Full boot seal for durable performance. No flange gaskets required.
- ANSI B16.5 Class 150 & DIN Flange Pattern
- Impact-resistant ABS Handle with position indicator
- Pressure rating: 150 psi, non-shock water @ 73° F for 3 – 6", 100 psi for 8".
- 100% Bubble tight seal
- Stainless Steel Stem
- 3 year limited warranty

SAMPLE ENGINEERING SPECIFICATIONS

Butterfly valves shall be lever actuated. Valve body and disc shall be produced of PVC Type I, cell classification 12454. Valve boot/seal and O-rings shall be made of EPDM material. Shaft shall be made of stainless steel. The disc bore (center) shall contain a integrally molded stainless steel reinforcement square liner, which engages with the stainless steel valve shaft. Boot/seal (liner) and disc shall be the only wetted parts of the valve. Lever handle shall be produced of ABS material, and shall be capable of locking in multiple, marked positions from opening to close. Bolt pattern shall conform to ANSI/ASME B 16.5 Class 150, DIN, and BS 4504 PN6 PCD. Colonial 711N Series.

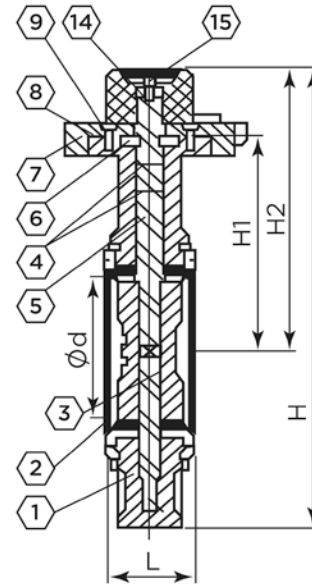
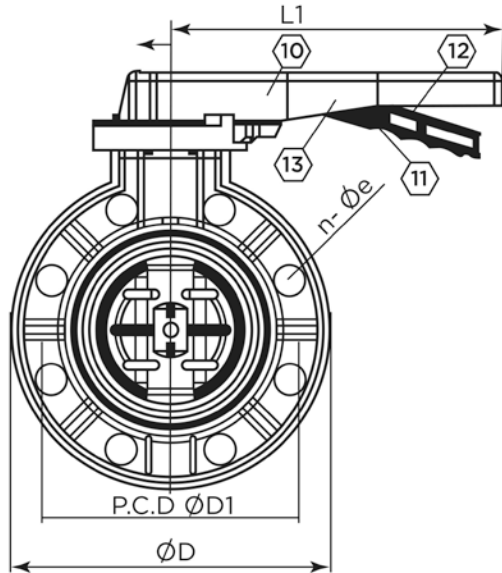


- See NG Series for 8, 10, 12" sizes with gear operator



Revised 12/19/14 – Added BS 4504 PN 6 to DIM Table

CUSTOMER SERVICE: 6400 Corporate Ave., Portage, MI 49002
Toll-free (800)374 0234, Phone (269)323 2495, Fax (269) 323 0630 www.colonialengineering.com



Dimensions (mm)

Dimensions (inches)

ANSI	3"	4"	6"	8"
DIN	80	100	160	200
PCD ANSI	152	191	241	298
PCD DIN	160	180	240	295
PCD BS 4504 PN6	150	170	225	280
ø D	196	228	287	344
ø d	78	98	151	199
L	49	54	70	88
L 1	240	240	310	310
W	55	55	72	72
H1	120	140	181	215
H2	172	194	239	280
H	270	308	382	452
n - ø e ANSI	4 - 19	8 - 19	8 - 23	8 - 23
n - ø e DIN	8 - 19	8 - 19	8 - 23	8 - 23

ANSI	3"	4"	6"	8"
DIN	80	100	160	200
PCD ANSI	5.98	7.52	9.49	11.73
PCD DIN	6.30	7.09	9.45	11.61
PCD BS 4504 PN6	5.91	6.69	8.86	11.02
ø D	7.72	8.98	11.30	13.54
ø d	3.07	3.86	5.94	7.83
L	1.93	2.13	2.76	3.46
L 1	9.45	9.45	12.20	12.20
W	2.17	2.17	2.83	2.83
H1	4.72	5.51	7.13	8.46
H2	6.77	7.64	9.41	11.02
H	10.63	12.13	15.04	17.80
n - ø e ANSI	4 - 0.748	8 - 0.748	8 - 0.906	8 - 0.906
n - ø e DIN	8 - 0.748	8 - 0.748	8 - 0.906	8 - 0.906

Materials

Temperature / pressure de-rating

ITEM	DESCRIPTION	MATERIAL
1	Body	PVC
2	Seat Seal	EPDM
3	Disc	PVC
4	O-ring	EPDM
5	Stem	304 SS
6	Bearing	ABS
7	Index Plate	ABS
8	Screw	SS
9	Cap	ABS
10	Handle	ABS
11	Spring	304 SS
12	Lever	ABS
13	Set Pin	Steel
14	Bolt	Steel
15	Cap	ABS

Size	Part Number	Master Ctn Qty	Working Pressure*
3"	V30711N	4	150 psi
4"	V40711N	4	150 psi
6"	V60711N	4	150 psi
8"	V80711N	1	100 psi

*non-shock water at 73°F

Note: also available in Contractor Kit with flanges and bolt set. See List Price Sheet for details.

Temp (F°)	PVC
73	1.00
80	0.88
90	0.75
100	0.62
110	0.50
120	0.40
130	0.30
140	0.22
150	NR

