

- Compact – requires little space in piping systems
- Light weight, easy to install – wafer body slips between standard Sch 80 flanges. **Note: Spacer required for 8" size only.**
- Pressure to open 0.30 psi, back pressure to close 1.0 psi
- Vacuum rating: 29.9 Hg (inches mercury)
- Spring dampens the opening and closing action, avoiding water hammer and extending the life of the valve.
- Recommended for horizontal and vertical piping
- Serviceable – repair parts and replacement o-rings are available.
- **Install between Class 150 Flanges using Gaskets . Gaskets are included.**

Materials

- PVC with EPDM o-ring, 316 SS Spring

Used in:

Industrial Process Piping
 Commercial Swimming Pools
 Water Parks
 Aquaculture
 Aquarium & Zoo support systems
 Pulp & Paper
 Landfill piping
 Marine & other Salt Water applications
 Water & Wastewater Treatment



The Wafer Check Valve is a non-return valve ideal for limited space installations. The 601NP series is offered for pipe sizes 8 - 12". Equipped with SS spring which can be removed if desired.

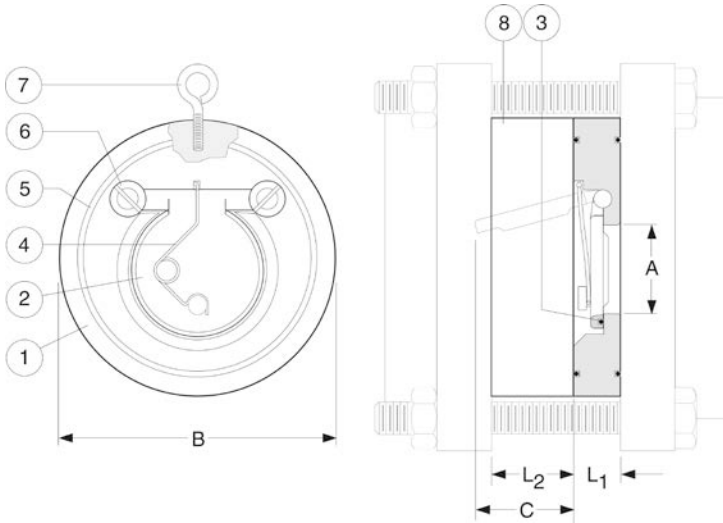
Wafer Check Valve



8" requires spacer for full disc opening with Sch 80 flanges. Gasket included.



REV 080817



ITEM	DESCRIPTION	Qty	MATERIAL
1	Body	1	PVC
2	Disc/ Hinge	1	PVC
3	Disc o-ring	1	EPDM
4	Spring	1	316 SS
5	Body o-ring	2	EPDM
6	Hinge Plug	2	PVC
7	Eye Bolt	1	304 SS
8	Spacer	1	PVC

Dimensions (in.)

SIZE	8	10	12
A	5.90	7.50	8.50
B	10.90	13.00	15.00
C	7.50	9.00	10.20
L1	1.40	1.60	1.80
L2	3.50	NA	NA

De-rate pressure for elevated process temps per the chart below:

SIZE	Part Number	Desc	Ctn Qty	Wgt (lbs)	Cv* Values	Working Pressure*1
8	V80601NP	Valve PVC/EPDM	1	4.50	1175	100
8	V80601NPS	Spacer PVC/EPDM	1	6.50	1175	100
10	V100601NP	Valve PVC/EPDM	1	7.00	1880	87
12	V120601NP	Valve PVC/EPDM	1	11.50	2520	87

Temp (°F)	PVC
73	1.00
80	0.88
90	0.75
100	0.62
110	0.50
120	0.40
130	0.30
140	0.22
150	NR

- *GPM of water at 1 psi pressure drop.
- *1 PSI at 73° F non-shock water

INSTALLATION PRECAUTIONS:

The following should be observed when installing onto the discharge side of a pump:

- Never install the valve directly to a pump, a bend or an elbow.
- Be sure to install with the Flow Arrow in the proper direction.
- Install all wafer check valves a minimum of 5 times the nominal pipe diameter **downstream** of pumps, elbows or valves.

NOTE: Do not use the valves without springs for pulsating applications.

Do not use with compressed air or gas.



CUSTOMER SERVICE: 6400 Corporate Ave., Portage, MI 49002
Toll-free (800)374 0234, Phone (269)323 2495, Fax (269) 323 0630 www.colonialengineering.com