

Features and Benefits

- Thermoplastic design eliminates process and atmospheric corrosion.
- Pressure rated up to 150 psi, non-shock water at 73° F
- Meets ASTM dimensions for Socket (D-2466) & Thread (D-2464)
- Sch 40 wall thickness
- Bi-directional: can be installed in either direction.
- Individually Bar-coded
- Standard Port

Part Numbers:

Size	White Socket	White Threaded
1/2	V07461N	V07561N
3/4	V08461N	V08561N
1	V10461N	V10561N
1-1/4	V14461N	V14561N
1-1/2	V17461N	V17561N
2	V20461N	V20561N
2-1/2	V27461N	
3	V30461N	
4	V40461N	



MIP Compact Valves answer the need for an economically priced compact quarter turn ball valve for use in irrigation, pool/spa, and commercial plumbing applications. Available in 1/2 - 4" sizes



1/2 - 2"



2-1/2 - 4"

461 SERIES SCH 40 MIP (MOLDED IN PLACE) COMPACT VALVE

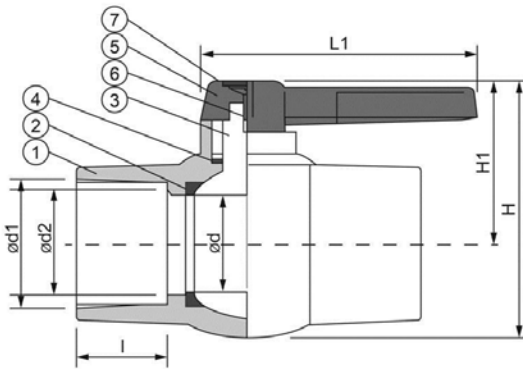
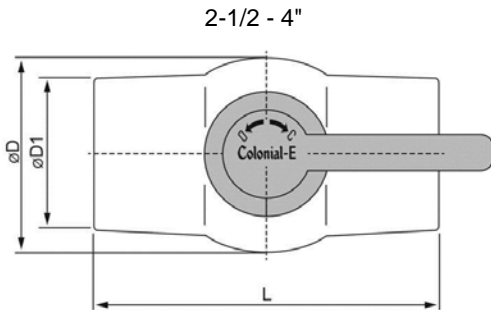
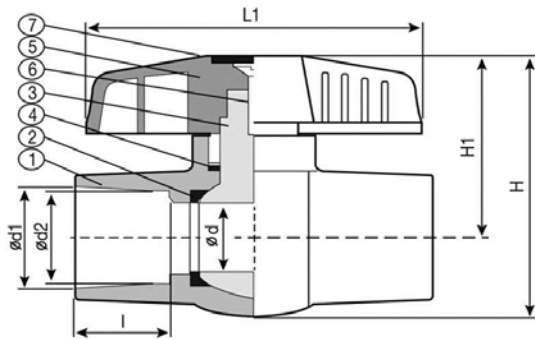
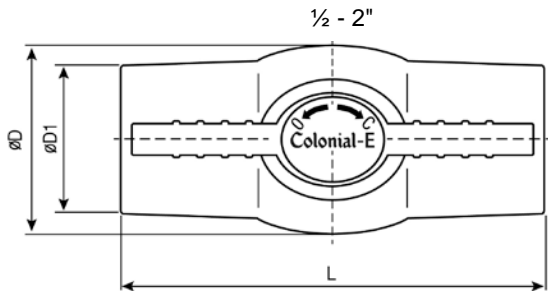
Available through:

LASCO[®]
Fittings, Inc.

Do not use with compressed air or gas. Only use for fluid piping systems.

Revised 090116 – removed 2-1/2 – 4" TxT

CUSTOMER SERVICE: 6400 Corporate Ave., Portage, MI 49002
Toll-free (800)374 0234, Phone (269)323 2495, Fax (269) 323 0630 www.colonialengineering.com



Pressure rated up to 150 psi,
non-shock water at 73° F.

Temp (°F)	PVC
73	1.00
80	.88
90	.75
100	.62
110	.50
120	.40
130	.30
140	.22
150	NR
160	NR

No	Part	Material	Qty
1	Body	PVC	1
2	Seat	EPDM	2
3	Ball / Stem	PP, PE	1
4	O-ring	EPDM	1
5	Handle	ABS	1
6	1/2 - 2" n/a	n/a	n/a
6	2-1/2 - 4" Set Screw	Zinc Plated Steel	1
7	Cap	ABS	1

	1/2"	3/4"	1"	1-1/4"	1-1/2"	2"	2-1/2"	3"	4"
d1	0.875	1.063	1.313	1.688	1.313	2.375	2.890	3.520	4.520
d2	0.813	1.063	1.313	1.625	1.875	2.375	2.868	3.492	4.491
l	0.875	1.000	1.125	1.250	1.375	1.500	1.640	1.930	2.540
D	1.500	1.875	2.000	2.500	3.000	3.625	4.375	5.250	6.500
D1	1.125	1.500	1.750	2.125	2.500	3.000	3.470	4.100	5.100
d	0.570	0.756	0.953	1.141	1.310	1.640	2.300	2.700	3.350
L	3.250	3.750	4.125	4.500	5.125	5.750	7.750	8.125	10.375
L1	2.750	3.250	3.875	3.875	4.500	5.500	7.250	7.500	9.000
H	2.500	3.125	3.625	3.875	4.500	5.375	3.500	40.000	5.000
H1	1.750	2.125	2.500	2.625	3.125	3.500	5.875	6.750	8.500