

Factory sealed, maintenance-free, quarter-turn ball valves for 2-1/2, 3, and 4" piping systems.

#### FEATURES AND BENEFITS

- Two-piece PVC construction
- Low-torque, smooth turning
- 100% thermoplastic design eliminates process and atmospheric corrosion
- Socket connections
- EPDM o-rings and PTFE seats
- Dual stem o-rings
- Floating ball design for positive downstream seating
- 100% bubble tight shut-off
- Pressure rating: 150 psi, non-shock water at 73° F

#### SAMPLE ENGINEERING SPECIFICATIONS

All thermoplastic, 2-piece Ball valves 2-1/2 through 4" shall be of sealed unit type. Valves shall be produced of PVC Type I, cell class 12454 material. Valve seats shall be of PTFE material. O-rings shall be of EPDM. Valve stem shall have two o-rings. Valves shall have an ABS T-handle. Valves shall have socket end connectors for solvent weld installation.



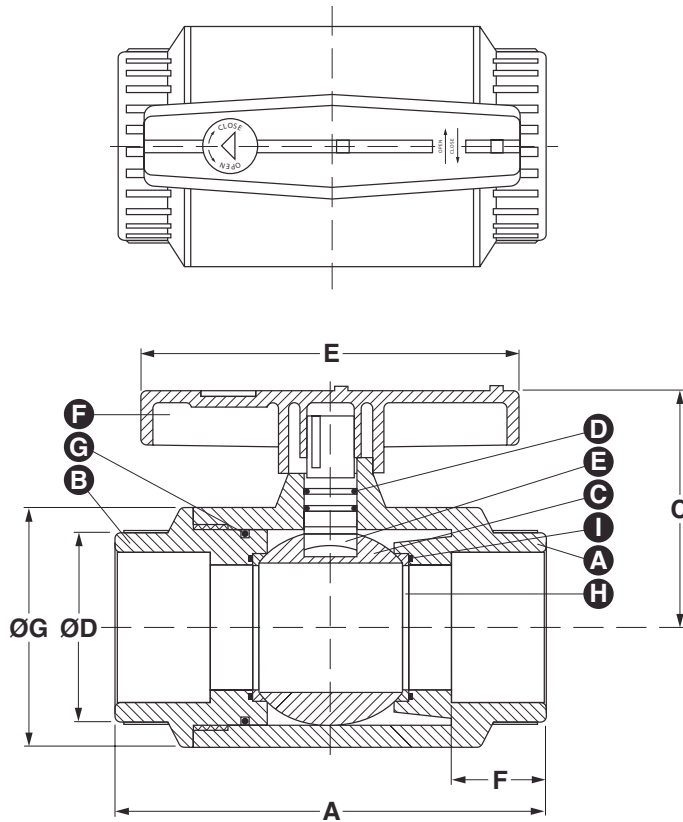
Revised 12/11

**TWO-PIECE COMPACT BALL VALVE 2-1/2" - 4"**

**TEMPERATURE CORRECTION  
FACTORS FOR VALVES & UNIONS  
(ABOVE 73° F)**

Temp (°F)	PVC
73	1.00
80	.88
90	.75
100	.62
110	.50
120	.40
130	.30
140	.22
150	NR
160	NR
170	NR
180	NR
200	NR
210	NR
240	NR
280	NR

NR: Not Recommended



**COMPONENTS AND MATERIALS**

Part Letter	Component	Quantity	Material
A	Body	1	PVC
B	Body Cap	1	PVC
C	Ball	1	PVC
D	Stem O-Ring	2	EPDM
E	Stem	1	PVC
F	Handle	1	ABS
G	Body O-Ring	1	EPDM
H	PTFE Seat	2	EPDM
I	Carrier O-Ring	2	EPDM

**DIMENSIONS**

PART NO.	SIZE	A	C	D	E	F	G	ID OF PORT
V27191N	2-1/2"	7.88	4.56	3.00	7.09	1.75	4.56	2.40
V30191N	3"	9.00	5.06	3.50	8.88	1.88	5.31	2.71
V40191N	4"	11.81	7.00	4.50	10.88	2.25	7.50	3.89

\* Sizes 2-1/2" and 4" are full port, SCH 80

**⚠**

**COMPRESSED  
AIR WARNING**

The products in this document are only intended for use in transferring or storing chemically compatible pressurized liquids. **Do not test or use products in this document with compressed air or other gases.** Doing so is dangerous and could cause injury or great bodily harm should a system fail under compressed air. Only use products that are specifically designed for compressed air/gas service. Call Colonial technical service for more information.

AIR/GAS