

## Features and Benefits

- Thermoplastic design eliminates process and atmospheric corrosion.
- Pressure rating: 235 psi, non-shock water at 73° F, ½ - 2", 150 psi for 2-1/2".
- NSF-61 Product also Certified to NSF/ANSI 61, Annex G and is in compliance with California's Health & Safety Code Section 116875 (commonly known as AB1953) and Vermont Act 193.
- Socket dimensions meet ASTM requirements. PVC: D-2467, D-2464, CPVC: F-439, F437
- Floating ball design for positive seal.
- True Union design permits easy removal of valve body for service.
- Handle can be removed and used as a tool to remove blocking carrier during valve disassembly. The carrier is threaded into the body and can be tightened to adjust for seat wear. Valve cartridge must be removed from system for maintenance.

Note – updated handle design will take place during 2011. No change to the face-to-face or union nut dimensions for this series of valves.



The Commercial (050N) Series answers the need for a high quality, economically priced, true union ball valve for use in industrial, water treatment, pool/spa, and commercial plumbing applications. Available in 1/2 – 2-1/2" sizes.



COMMERCIAL SERIES TRUE UNION BALL VALVE

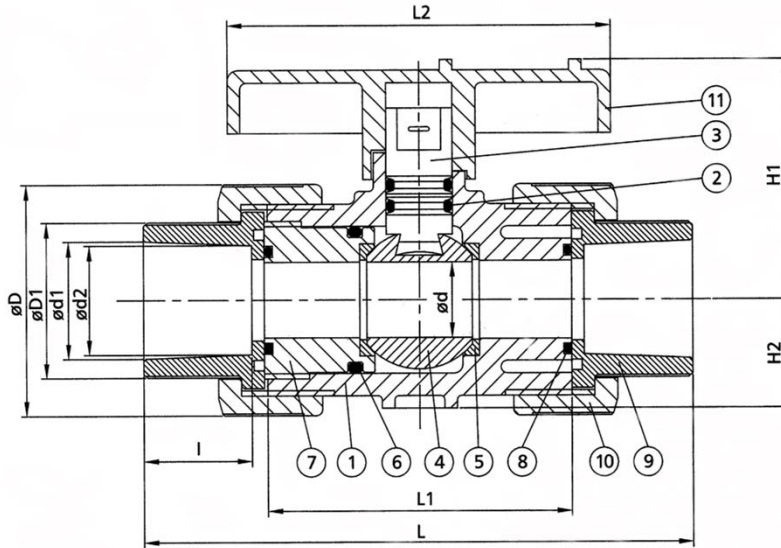
NOTE: For Full Port Sch 80, larger sizes, material options, or actuation, see the Colonial Industrial Series Full Block True Union Ball Valve.

REVISED 02-07-12



Size	PVC/EPDM	PVC/FKM	CPVC/EPDM	CPVC/FKM
1/2	V07050N	V07051N	V07053N	V07054N
3/4	V08050N	V08051N	V08053N	V08054N
1	V10050N	V10051N	V10053N	V10054N
1-1/4	V14050N	V14051N	V14053N	V14054N
1-1/2	V17050N	V17051N	V17053N	V17054N
2	V20050N	V20051N	V20053N	V20054N
2-1/2	V27050N	V27051N	V27053N	V27054N

1/2 – 2-1/2" Sizes include both Socket and Threaded End Connectors. Shaded items are special order. Call Customer Service for pricing and lead time.



	1/2"	3/4"	1"	1-1/4"	1-1/2"	2	2-1/2"
d1	0.750	1.000	1.313	1.625	2	2.375	2.625
d2	0.750	1.000	1.313	1.625	1.875	2.375	2.563
I	0.750	1.000	1.188	1.250	1.375	1.500	1.563
D	1.750	2.188	2.625	3.250	3.875	4.750	4.938
D1	1.250	1.500	1.750	2.125	1.500	3.125	3.250
<b>d*</b>	<b>0.492</b>	<b>0.645</b>	<b>0.865</b>	<b>1.130</b>	<b>1.478</b>	<b>1.880</b>	<b>2.370</b>
L	4.438	5.188	5.625	6.375	6.750	8.125	9.625
L1	2.313	2.750	3.000	3.438	3.625	4.438	4.813
L2	3.000	3.625	4.000	4.313	4.750	5.750	6.375
H1	1.875	2.250	2.625	3.000	3.500	4.250	4.125
H2	0.750	1.000	1.333	1.500	1.625	2.000	

\* **Note: These are reduced-port ball valves, except 1-1/2" & 2-1/2" sizes**

Temperature De-rating:

NO.	Part	Material	Quantity
1	Body	PVC, CPVC	1
2	Stem O-Ring	EPDM, FKM	2
3	Stem	PVC, CPVC	1
4	Ball	PVC, CPVC	1
5	Seat Seal	PTFE Teflon®	2
6	Carrier O-Ring	EPDM, FKM	1
7	Seal Carrier	PVC, CPVC	1
8	Union O-Ring	EPDM, FKM	2
9	End Connector	PVC, CPVC	2
10	Union Nut	PVC, CPVC	2
11	Handle	ABS, PP	1

Temp (°F)	PVC	CPVC
73	1.00	1.00
80	0.88	0.96
90	0.75	0.92
100	0.62	0.85
110	0.50	0.77
120	0.40	0.70
130	0.30	0.62
140	0.22	0.55
150	NR	0.47
160	NR	0.40
170	NR	0.32
180	NR	0.25
200	NR	0.18
210	NR	0.15
220	NR	NR

Teflon® is a registered trademark of DuPont Dow Elastomers.

**CUSTOMER SERVICE:** 6400 Corporate Ave., Portage, MI 49002  
Toll-free (800)374 0234, Phone (269)323 2495, Fax (269) 323 0630 [www.colonialengineering.com](http://www.colonialengineering.com)