

Factory sealed, maintenance-free, quarter-turn ball valves for 2-1/2, 3, and 4" piping systems.

FEATURES AND BENEFITS

- Two-piece PVC construction
- Low-torque, smooth turning
- 100% thermoplastic design eliminates process and atmospheric corrosion
- Full Port Sch 80 design
- Socket connections
- EPDM o-rings and Teflon® seats
- Dual stem o-rings
- Low-cost operation
- 100% bubble tight shut-off
- Pressure rating: 150 psi, non-shock water at 73° F

SAMPLE ENGINEERING SPECIFICATION

All thermoplastic, 2-piece Ball valves 2-1/2 through 4" shall be of sealed unit type. Valves shall be produced of PVC Type I, cell class 12454 material. Valve seats shall be of Teflon® material. O-rings shall be of EPDM. Valve stem shall have two o-rings. Valves shall be full port (equal to or greater than the minimum inside diameter of Sch 80 pipe). Valves shall have an ABS T-handle. Valves shall have socket end connectors for solvent weld installation.



**TEMPERATURE CORRECTION
FACTORS FOR VALVES & UNIONS
(ABOVE 73° F)**


Temp (° F)	PVC
73	1.00
80	.88
90	.75
100	.62
110	.50
120	.40
130	.30
140	.22
150	NR
160	NR
170	NR
180	NR
200	NR
210	NR
240	NR
280	NR

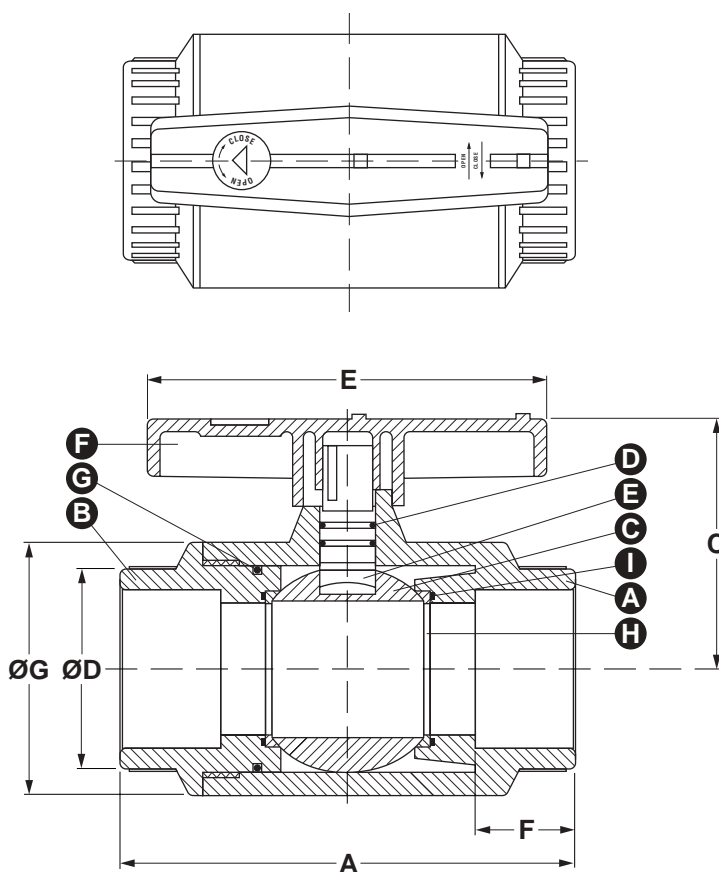
NR: Not Recommended

Teflon® is a registered trademark of DuPont.
Only DuPont makes Teflon®.

**COMPRESSED
AIR WARNING**

The products in this document are only intended for use in transferring or storing chemically compatible pressurized liquids. **Do not test or use products in this document with compressed air or other gases.** Doing so is dangerous and could cause injury or great bodily harm should a system fail under compressed air. Only use products that are specifically designed for compressed air/gas service. Call Colonial technical service for more information.





COMPONENTS AND MATERIALS

Part Letter	Component	Quantity	Material
A	Body	1	PVC
B	Body Cap	1	PVC
C	Ball	1	PVC
D	Stem O-Ring	2	EPDM
E	Stem	1	PVC
F	Handle	1	ABS
G	Body O-Ring	1	EPDM
H	Teflon® Seat	2	EPDM
I	Carrier O-Ring	2	EPDM

DIMENSIONS

Part No.	Size	A	C	ØD	E	F	ØG
V27191N	2-1/2"	7-7/8"	4-9/16"	3"	7-3/32"	1-3/4"	4-9/16"
V30191N	3"	9"	5-1/16"	3-1/2"	8-7/8"	1-7/8"	5-5/16"
V40191N	4"	11-13/16"	7"	4-1/2"	10-7/8"	2-1/4"	7-1/2"