



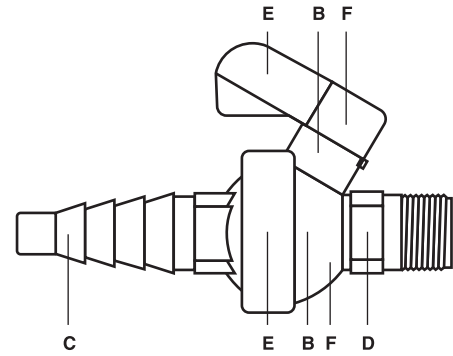
Laboratory ball valves are used in laboratories and in other applications that require sampling and monitoring. Colonial's laboratory valves are available in a variety of styles: hose barb and male/female NPT (National Pipe Taper) threads.



This catalog contains information on parts offered at the date of printing. Please refer to our current list price sheets for any additional parts or sizes now offered.




- EPDM seats and seals or seats and seals made of Viton®.
- PVC ball/stem and body. Other materials available. Contact factory for minimum order quantities, prices and delivery.
- Full .250" opening.
- 150 psi @ 73° F.
- Wide variety of configurations.
- Ideal for laboratory sampling and monitoring.
- 1/4 turn operation.



COMPONENTS AND MATERIALS


Part Letter	Component	Quantity	Material
A	Handle	1	ABS
B	Ball/Stem	1	PVC
C	Body End: Hose or Thread	1	PVC
D	Body Half: Stem Side	1	PVC
E	O-Ring Body Seal	1	EPDM, Viton®
F	O-Ring Ball Seats	2	EPDM, Viton®
G	O-Ring Stem Seal	1	EPDM, Viton®
H	Handle Screw	1	Cadmium Plated Steel

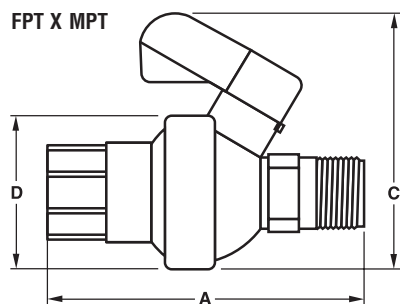
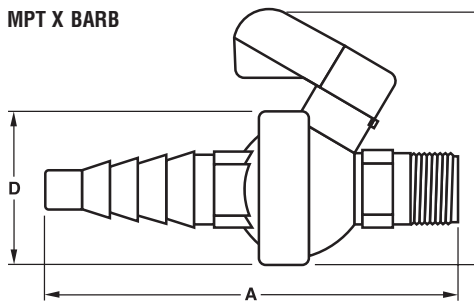
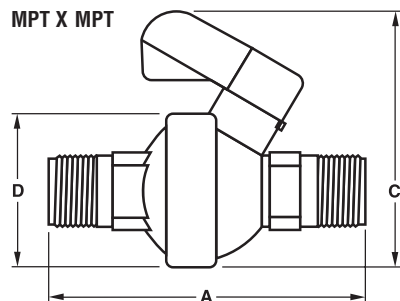
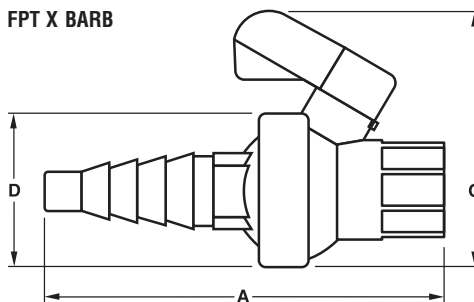
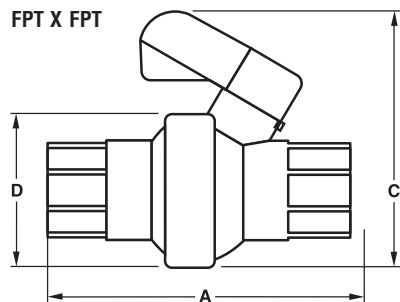
Teflon® is a registered trademark of DuPont. Only DuPont makes Teflon. Viton® is a registered trademark of DuPont Dow Elastomers.



COMPRESSED AIR WARNING

The products in this catalog are only intended for use in transferring or storing chemically compatible pressurized liquids. **Do not test or use products in this catalog with compressed air or other gases.** Doing so is dangerous and could cause injury or great bodily harm should a system fail under compressed air. Only use products that are specifically designed for compressed air/gas service. Call Colonial technical service for more information.





FLUID FLOW COEFFICIENT

Valve Size	Cv*
1/4"	4.8

*Gallons per minute @ 1 psi pressure drop. Cv is based on laying length being equivalent to 1/4" schedule 80 pipe.

1/4" LABORATORY BALL VALVES

	FPT X FPT	MPT X MPT	FPT X MPT	FPT X BARB	MPT X BARB
A	2-17/32	2-5/8	2-9/16	3-3/8	3-7/16
C	2-1/8	2-1/8	2-1/8	2-1/8	2-1/8
D	1-5/16	1-5/16	1-5/16	1-5/16	1-5/16

VALVE PART NUMBERS

	FPT X FPT	MPT X MPT	FPT X MPT	FPT X BARB	MPT X BARB
1/4" EPDM	V03511N	V03531N	V03521N	V03551N	V03541N
1/4" Viton®	V03512N	V03532N	V03522N	V03552N	V03542N

MAXIMUM PRESSURE/TEMPERATURE

See **Table 4** (page 10) & **Table 5** (page 11) for maximum pressure at various temperatures.



1/4" LABORATORY BALL VALVES